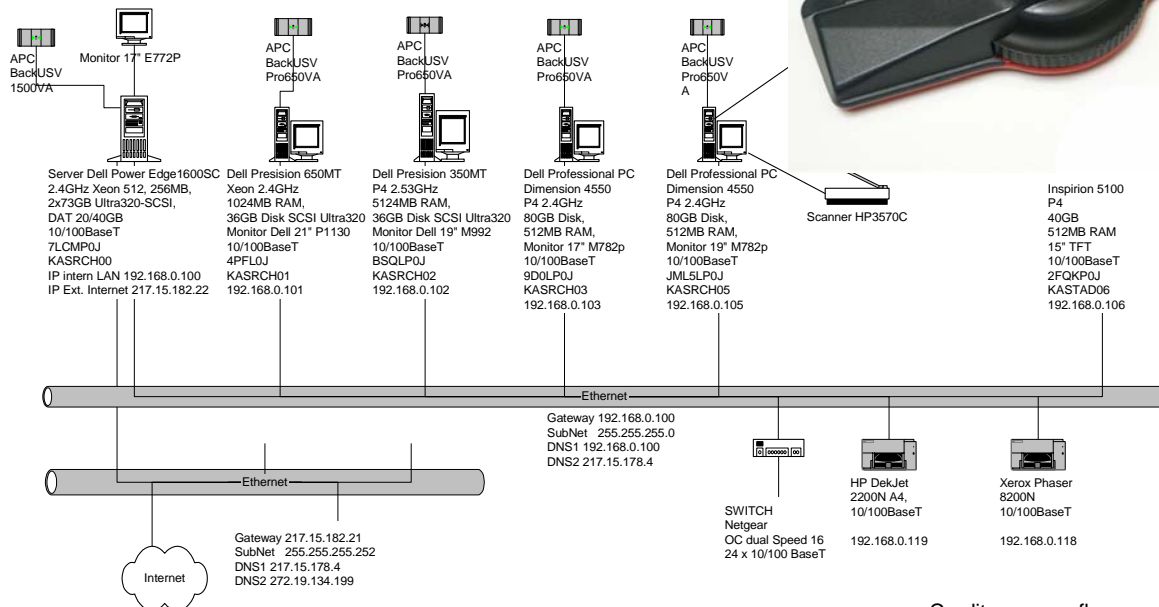


3-D systems for photogrammetry, GIS image processing, stereoscopic analyses and mapping – design, evaluation and implementation of server-based operational hard- and software systems

In various national and international projects, MFB-Geo Consulting designed, evaluated and implemented 3-D systems for operational applications. The systems include stand-alone as well as server-based workstations, optimized 3-D graphics cards, 3-D mice, stereo monitors, storing and archiving systems, and according software solutions. The software solutions encompass the following fields of application: image processing, GIS, photogrammetry, stereo analyses, database management, 3-D visualization and data management. Furthermore, the systems are integrated in existing, user-specific workflows.



Credits: www.mfb-geo.com

